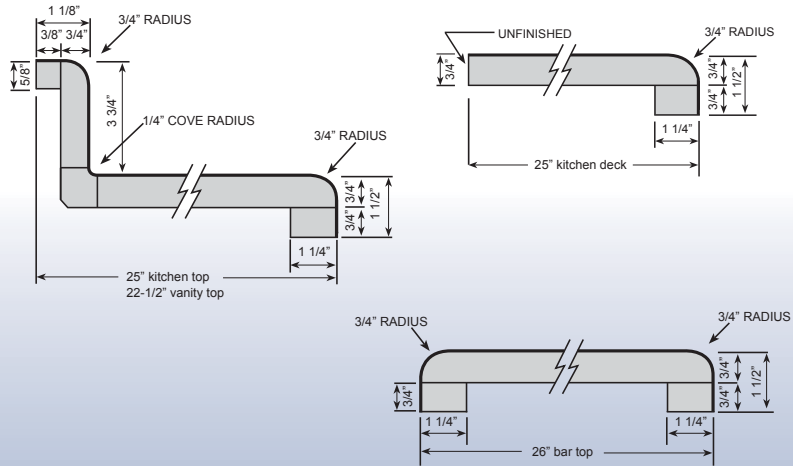


CRESCENT



Crescent is a high quality profile counter top edged with a 90 degree radius on its front. The Crescent backsplash is raised $3\frac{3}{4}$ " above deck and finished with a 90 degree radius.

Crescent is one of the most popular post form counter top design installed in today's economical homes.

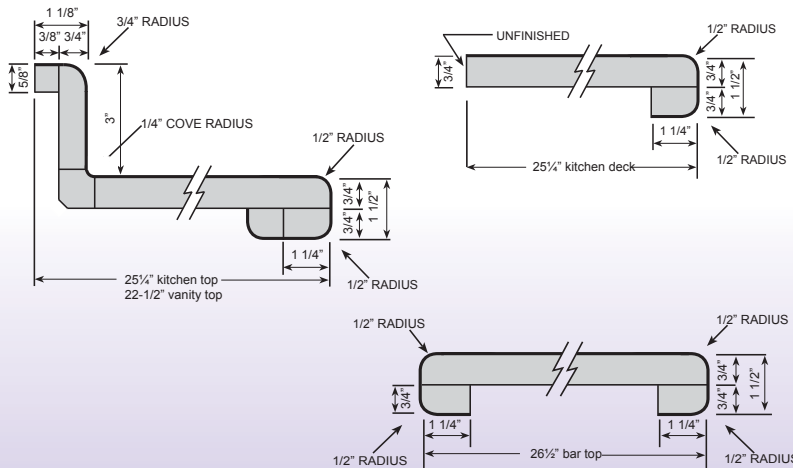


MERCURY



Mercury is a rounded modern looking counter top with a $\frac{1}{2}$ " radius on the top and bottom of its front edge.

A 3" seamless back splash flows continuous to the top deck where it ends with a 90 degree radius. The neat look of this classic top, compliments the appearance of relatively any kitchen.



PLUTO



Pluto is a very durable plywood counter top, finished with a 90 degree front edge. This front edge is raised with an additional no drip bump to prevent water fall. A $3\frac{3}{4}$ " back splash extends above deck.

Pluto adds the quality necessary for the most frequently used kitchens. Pluto is made with water resistant plywood that will protect your counter top for a long time.

